

# PD-1

## ECR Interface Scale

- Interfaces to Most ECR's
- Auto Zero Tracking / Auto Span Calibration
- 2 Easy to Read, 5 Digit LED Display's as Standard
- Switch and Zero Function Keys



**CAS**  
S · C · A · L · E

# PD-1 ECR Interface Scale

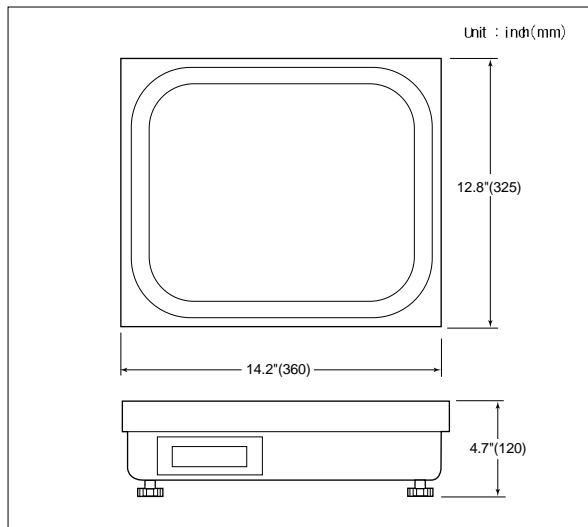
## FEATURES

- Interface Capabilities almost Unlimited
- Switch and Zero Keys
- Easy to Read LED Displays
- Stainless Steel Platter
- Auto Span Adjustment
- Auto Zero Tracking

## SPECIFICATIONS

Model	PD - 1
Weighing Capacity	30 x 0.01 lb (15 kg x 5 g)
Display Type	LED (5 Digit)
Measurement Type	Load Cell
Power Source	AC 120 V, 60 Hz
Power Consumption	Approx. 6 W
Operating Temperature	- 10°C ~ +40°C (14°F ~ 104°F)
Platter (inch / mm)	14.2 (W) x 12.8 (D) / 361 (W) x 324 (D)
Dimensions (inch / mm)	14.2 (W) x 12.8 (D) x 4.7 (H) / 360 (W) x 325 (D) x 120 (H)

## DIMENSIONS



## OPTIONS

- Remote Display
- Cables for RS-232, TEC, Sharp, Sanyo, Casio, Esper, Swintec, Uniwell, Datasym, Samsung, NCR, JCM, Omron, and most other cash registers
- Display Pole



## CAS USA Corporation

NJ OFFICE  
 99 Murray Hill Parkway  
 East Rutherford, NJ 07073  
 Tel: (201) 933-9002  
 Fax: (201) 933-9025

CA OFFICE  
 733 S. State College Blvd #98  
 Fullerton, CA 92831  
 Tel: (714) 870-1286  
 Fax: (714) 870-1167

<http://www.cas-usa.com>



Specifications are subject to change for improvement without prior notice.

1999.10